

PRODUCT ID FORM

POWERDOWN
T. +61 2 4949 0000 F. +61 2 4949 0099

DISTRIBUTOR <input style="width:100%; height:20px;" type="text"/>		CONTACT NAME <input style="width:100%; height:20px;" type="text"/>		DATE <table style="width:100%; border-collapse: collapse;"> <tr> <td style="width:15%; border: 1px solid black; height: 20px;"></td> <td style="width:15%; border: 1px solid black; height: 20px;"></td> <td style="width:10%; border: 1px solid black; text-align: center;">-</td> <td style="width:15%; border: 1px solid black; height: 20px;"></td> <td style="width:15%; border: 1px solid black; height: 20px;"></td> <td style="width:10%; border: 1px solid black; text-align: center;">-</td> <td style="width:15%; border: 1px solid black; height: 20px;"></td> <td style="width:15%; border: 1px solid black; height: 20px;"></td> </tr> </table>				-			-		
		-			-								
PHONE <input style="width:100%; height:20px;" type="text"/>	FAX <input style="width:100%; height:20px;" type="text"/>	SIGNATURE <input style="width:100%; height:20px;" type="text"/>		TIME <table style="width:100%; border-collapse: collapse;"> <tr> <td style="width:15%; border: 1px solid black; height: 20px;"></td> <td style="width:15%; border: 1px solid black; height: 20px;"></td> <td style="width:10%; border: 1px solid black; text-align: center;">:</td> <td style="width:15%; border: 1px solid black; height: 20px;"></td> <td style="width:15%; border: 1px solid black; height: 20px;"></td> <td style="width:10%; border: 1px solid black;"></td> <td style="width:15%; border: 1px solid black; height: 20px;"></td> <td style="width:15%; border: 1px solid black; height: 20px;"></td> </tr> </table>				:					
		:											
VEHICLE - MAKE / MODEL / YEAR <input style="width:100%; height:20px;" type="text"/>													
SUSPENSION - MAKE / MODEL <input style="width:100%; height:20px;" type="text"/>													

SUSPENSION TYPE <input type="checkbox"/> AIR SUSPENSION <input type="checkbox"/> LEAF <input type="checkbox"/> PARABOLIC <input type="checkbox"/> TORSION BAR <input type="checkbox"/> OTHER <input style="width:100%; height:15px;" type="text"/>	POSITION <input type="checkbox"/> STEER AXLE <input type="checkbox"/> DRIVE AXLE <input type="checkbox"/> TAG AXLE <input type="checkbox"/> CAB <input type="checkbox"/> TRAILER <input type="checkbox"/> OTHER <input style="width:100%; height:15px;" type="text"/>
--	---

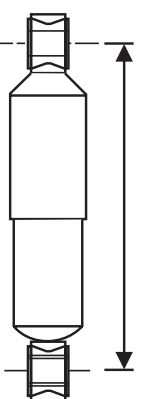
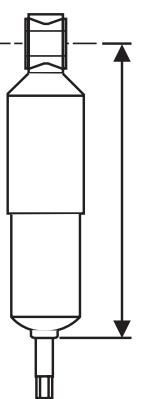
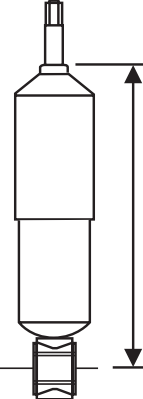
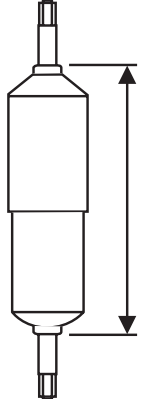
LIST ALL NUMBERS + O.E. NUMBERS (WHEN POSSIBLE)

<input type="checkbox"/> FRONT SHOCK	<input style="width:100%; height:20px;" type="text"/>
<input type="checkbox"/> REAR SHOCK	<input style="width:100%; height:20px;" type="text"/>
<input type="checkbox"/> CAB DAMPER	<input style="width:100%; height:20px;" type="text"/>
<input type="checkbox"/> OTHER	<input style="width:100%; height:20px;" type="text"/>

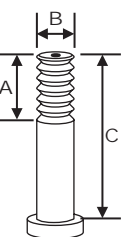
INDICATE REQUIREMENTS

STEEL SLEEVED BUSHES INSTALLED PLAIN RUBBER/URETHANE BUSHES INSTALLED

SELECT SHOCK ABSORBER MOUNTING CONFIGURATION & INDICATE MEASUREMENTS

<input type="checkbox"/> EYE UPPER & EYE LOWER MOUNTS  <p>LENGTH EXTENDED <input style="width:100%; height:20px;" type="text"/> mm</p> <p>COMPRESSED <input style="width:100%; height:20px;" type="text"/> mm</p> <p>DUST SHIELD <input style="width:100%; height:20px;" type="text"/> mm</p> <p>BODY <input style="width:100%; height:20px;" type="text"/> mm</p>	<input type="checkbox"/> EYE UPPER & PIN LOWER MOUNTS  <p>LENGTH EXTENDED <input style="width:100%; height:20px;" type="text"/> mm</p> <p>COMPRESSED <input style="width:100%; height:20px;" type="text"/> mm</p> <p>DUST SHIELD <input style="width:100%; height:20px;" type="text"/> mm</p> <p>BODY <input style="width:100%; height:20px;" type="text"/> mm</p>	<input type="checkbox"/> PIN UPPER & EYE LOWER MOUNTS  <p>LENGTH EXTENDED <input style="width:100%; height:20px;" type="text"/> mm</p> <p>COMPRESSED <input style="width:100%; height:20px;" type="text"/> mm</p> <p>DUST SHIELD <input style="width:100%; height:20px;" type="text"/> mm</p> <p>BODY <input style="width:100%; height:20px;" type="text"/> mm</p>	<input type="checkbox"/> PIN UPPER & PIN LOWER MOUNTS  <p>LENGTH EXTENDED <input style="width:100%; height:20px;" type="text"/> mm</p> <p>COMPRESSED <input style="width:100%; height:20px;" type="text"/> mm</p> <p>DUST SHIELD <input style="width:100%; height:20px;" type="text"/> mm</p> <p>BODY <input style="width:100%; height:20px;" type="text"/> mm</p>
--	---	---	---

PIN (STUD) MOUNT

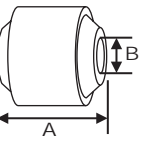


A = Thread Length
 mm

B = Outer Diameter
 mm

C = Overall Length
 mm

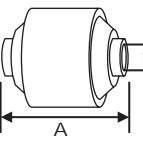
EYERING/BUSHING



A = Overall Length of Bush
 mm

B = Internal Diameter
 mm

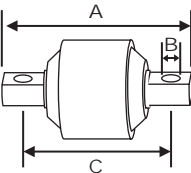
EYERING/BUSHING WITH SLEEVE



A = Overall Length of Sleeve
 mm

B = Internal Diameter
 mm

EYERING/BUSHING WITH BARPIN



A = Overall Length of Barpin
 mm

B = Internal Diameter
 mm

C = Centre to Centre Length
 mm